



LIFE SAFETY & INCIDENT MANAGEMENT

Intelligent Fire Alarm Systems

iO64, iO1000



FDNY
COA 6227



7165-1657:
0244



S3000

Overview

EDWARDS brand intelligent life safety systems offer the power of high-end intelligent processing in configurations that deliver uncomplicated solutions for small to mid-sized applications. With intelligent detection, electronic addressing, automatic device mapping, optional Ethernet® connectivity, and a full line of easily-configured option cards and modules, these flexible systems offer versatility that benefits building owners and contractors alike.

The iO64 provides one Class A or Class B intelligent device loop that supports up to 64 device addresses, and two Class B Notification Appliance Circuits (NACs). Optional Class A device wiring is available with the use of a module.

The iO1000 provides one Class A or Class B intelligent device loop that supports up to 250 device addresses. Loop controller modules may be added in combination to expand total system capacity in 250-point increments to up to 1,000 device addresses. The iO1000 panel includes four NACs that may be wired for either Class A or Class B operation.

The RZ116-2 module adds even more capacity to iO installations by adding up to 16 conventional device circuits and two additional notification appliance circuits. This makes them an ideal retrofit solution that can accommodate new intelligent detectors, as well as existing conventional devices.

iO Series supports a wide range of high-end features, including:

- Signature Series intelligent modules, detectors, and bases
- R-Series remote annunciators
- SIGA-REL Releasing Modules
- Fully integrated CO detection using Signature Series detectors with or without audible signaling

Features

- Auto-programming speeds installation time
- Supports Signature Series intelligent modules and detectors
- Combines the Signature intelligent releasing module with Signature multisensor detectors for reliable fire suppression
- Form C contacts for alarm and trouble, Form A for supervisory
- Electronic addressing with automatic device mapping
- Optional Ethernet port for diagnostics, programming and a variety of system reports
- Two programmable switches with LEDs and custom labeling
- Supports Genesis horn silence over two wires, and UL 1971-compliant strobe synchronization
- Class B or Class A wiring
- Ground fault detection by module
- Supports up to eight serial annunciators, (LCD, LED-only, and graphic interface)
- Can use existing wiring for most retrofit applications
- Upload/download remotely or locally
- Two-level maintenance alert reporting
- Pre-alarm and alarm verification by point
- Adjustable detector sensitivity
- 4 x 20 character backlit LCD display
- Optional earthquake hardening: seismic Importance Factor 1.5
- Standalone operation
- *Alarm ON* command manually activates alarm condition

Application

EDWARDS iO Series life safety systems are powerful intelligent solutions for small to mid-sized buildings. Advanced intelligent technology delivers the benefits of flexible system installation, while clean and easy-to-operate user interfaces make panel operation and system maintenance quick and intuitive.

The smart choice

Signature Series electronic addressing eliminates the tedium of setting dipswitches, and automatic device mapping ensures that each device resides on the system at its correct location. Meanwhile, innovative programming allows the designer to customize the system to precisely suit the needs of the building owner.

Reliability you can count on

The inherent fault-tolerant characteristics of Analog/Addressable Technology boosts the reliability of EDWARDS fire alarm systems. When combined with iO Series smoke and heat detectors, these systems deliver a level of dependability not previously available for small to mid-sized applications. All EDWARDS systems are built to exacting reliability benchmarks.

Clear-cut remote annunciation

Remote annunciation is a strong suit of the iO Series fire alarm systems. Up to eight annunciators can be installed on a single system. Compatible annunciators include a range of LED and LCD models that provide zone or point annunciation, as well as common control capabilities. iO control panels also supports graphic annunciation with optional RA Graphic Annunciator interface modules. Each interface provides common control and 32 LEDs.

Flexibility built right in

Two fully-programmable front panel switch/LED combinations provide an added measure of flexibility. Their slide-in labels take the mystery out of custom applications, and present a clean finished appearance.

Programming and remote diagnostics

EDWARDS iO Series life safety systems are simple to set up, yet offer advanced programming features that put these small building panels into a class of their own. The auto programming feature quickly gets the panel operational using factory default settings. Basic zone and point settings can be programmed through the front panel interface, so the system is up and running in no time.

For more advanced system configuration and correlation groups programming, iO Series systems interface to a PC running compatible iO-CU software. This option offers full system configuration in the familiar Windows® operating environment. Connection is made to a laptop through the panel's optional RS-232 communications port, which can also be used to connect a system printer.

Among the many innovative features of iO Series control panels is the optional network card. This module provides a standard 10/100 Base T Ethernet® network connection that permits access to the control panel from any remote location with the correct communications protocols. The connection can be used to download to the panel from the iO-CU, or upload and view system reports using the iO-CU.

Available system reports include: Correlation groups, Device details, Device maintenance, History, Internal status, System configuration, System status, Walk test, Dialer, and CO runtime.

Perfect for retrofits

EDWARDS iO Series control panels are particularly well-suited to retrofit applications. All connections are made over standard wiring – no shielded cable required. This means that in most situations existing wiring can be used to upgrade a legacy control panel to iO technology without the expense or disruption of rewiring the entire building. iO control panels also support the ingenious RZ116-2 Zone Module, which adds up to 16 conventional circuits and two NACs. This combination easily accommodates new intelligent detection alongside existing conventional circuits, making it an superior solution in the retrofit market.

Scalable IP and Cellular Communications

Several popular third-party IP/Cellular communicators have been tested with the iO control panels and are compatibility listed to UL864. The IP/Cellular communicators meet NFPA72 2013 edition requirements for sole or secondary transmission paths. Using IP/Cellular communicators can reduce the cost of ownership by eliminating POTS lines. Please see the iO control panel compatibility documentation part number 3102353-EN for a full list of compatible communicators.

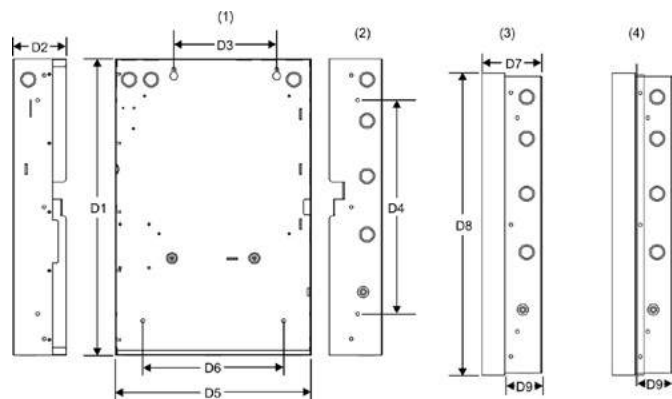
Signals with a difference

iO system NACs are configurable to fully support the advanced signaling technology of EDWARDS Genesis and Enhanced Integrity notification appliances. These devices offer precision synchronization of strobes to UL 1971 standards. For Genesis devices, enabling this feature allows horns to be silenced while strobes on the same two-wire circuit continue to flash until the panel is reset.

A complete line of accessories

iO Series life safety systems are supported by a complete line of analog/addressable detectors, modules and related equipment. Consult the Ordering Information section for details.

Dimensions



(1) Surface Mounting Holes

(3) Backbox with Door Attached

(2) Semi-flush mounting Holes

(4) Backbox with door and trim kit attached.

Panel dimensions, in (cm)

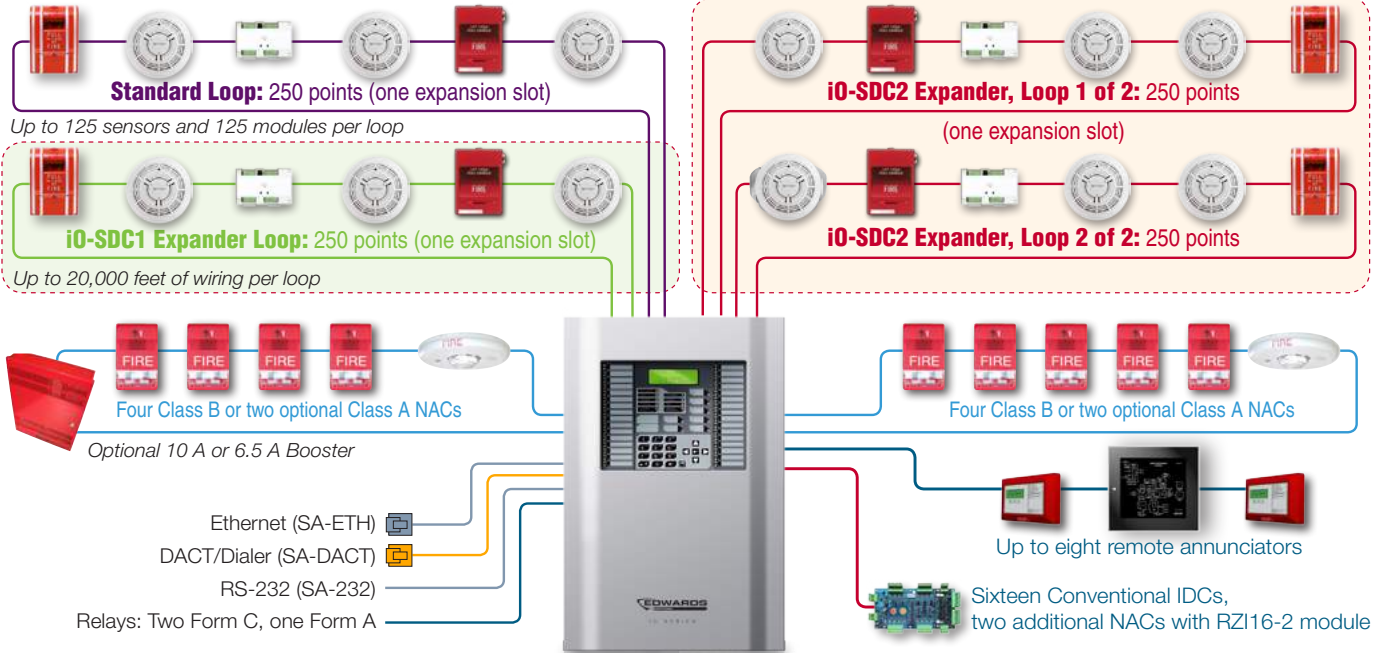
| Model | D1* | D2 | D3 | D4 | D5* | D6 | D7 | D8 | D9 |
|--------|----------------|---------------|---------------|----------------|-----------------|-----------------|---------------|----------------|--------------|
| iO1000 | 28.0 (71.1) | 3.85 (9.8) | 9.0 (22.8) | 22.0 (55.8) | 15.75 (40.0) | 10.25 (26.0) | 4.4 (11.1) | 28.2 (71.6) | 2.7 (6.8) |
| iO64 | 21.5 (54.6) | 3.85 (9.8) | 7.5 (19.0) | 15.5 (39.4) | 14.25 (36.2) | 10.25 (26.0) | 4.5 (11.4) | 21.7 (55.1) | 2.7 (6.8) |

* Add 1-1/2 in. (3.81 cm) to D1 and D5 dimensions for trim kit. The trim kit provides 0.75 inches (1.9 cm) of trim to the top, bottom, and sides of the backbox.

System Layout

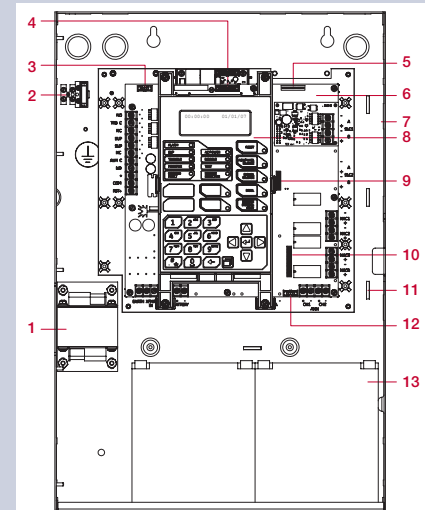
iO1000

Any combination of two single- or dual Signature loop modules



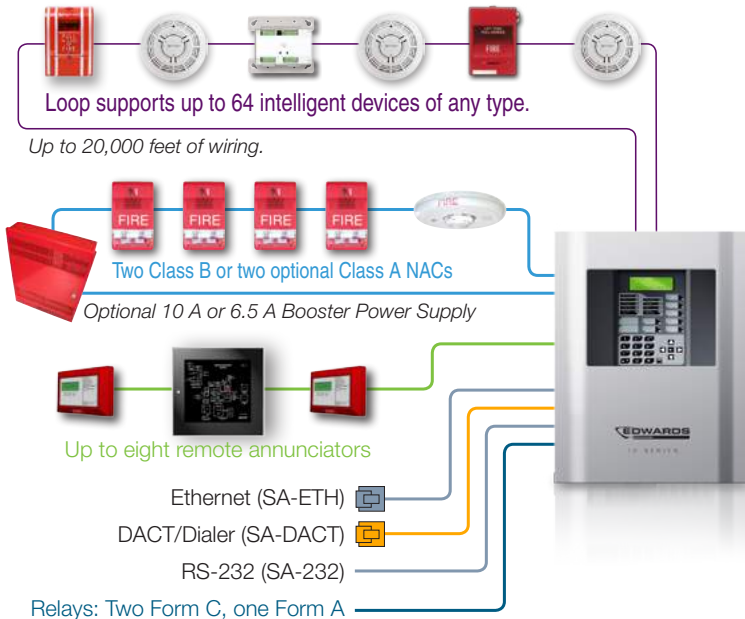
Each iO1000 panel has room for up to two Signature loop controller modules in any combination of single or dual 250-device loops. iO1000 loops support 125 detectors and 125 modules.

Panel Layout



- 1 Transformer
- 2 Main AC wiring block & fuse holder
- 3 RS-232 card connector (J3)
- 4 Dialer card connection (J8)
- 5 Ethernet card connector (J1)
- 6 Main circuit board
- 7 Panel backbox enclosure
- 8 Operator interface
- 9 SLC card connector (J7)
- 10 Class A card connector (J2)
- 11 Tie wrap mounts
- 12 LED expander connector (J6)
- 13 Standby batteries

iO64



Each iO64 panel ships with one Signature loop controller that supports 64 devices of any type. This panel's device capacity cannot be expanded.

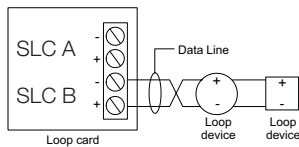
Wiring & Configuration

Signature device loop

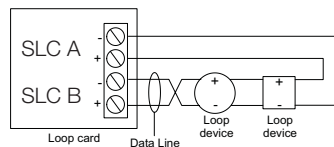
The system provides one Signature device loop circuit with a total capacity of 125 detectors and 125 module addresses. The loop circuit is supervised for opens, shorts, and grounds.

| Circuit specifications | iO1000 | iO64 |
|----------------------------|------------------------------------------------------------------------------------------------------------------------------------------------------------|-----------------------------------------------------------|
| Device loops | One Class B or A loop, supporting 125 detectors and 125 modules. Expandable to four loops. | One Class B or A loop, supporting 64 devices of any kind. |
| Communication line voltage | Maximum 20 V peak-to-peak | |
| Circuit current | 0.5 A max | |
| Circuit impedance | 66Ω total, 0.5 μF, max | |
| Isolators | 64 maximum | |
| Signal Synchronization | Supported on a system-wide basis (all device loops) when using a SIGA-CC1S or SIGA-MCC1S module and Genesis or Enhanced Integrity notification appliances. | |

Class B wiring



Class A wiring

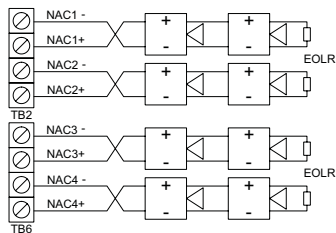


Notification appliance circuits (TB2)

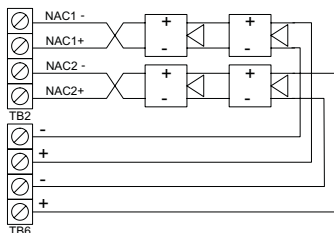
iO1000 control panels come equipped with four notification appliance circuits. iO64 control panels come with two NACs. Each circuit can be individually configured for continuous, temporal, synchronized, and coded output.

| Specifications | iO1000 | iO64 |
|-----------------|--------------------------------------------------------------------------------------------------------------------|---------------------------------------------------------------------------------------------------------------------|
| Circuit Type | 4 Class B or 2 Class A | 2 Class B or 2 Class A with SA-CLA module |
| Voltage | 24 VFWR | |
| Current | 6.0 A total, 2.5 A max. per circuit at 120/230 VAC 60 Hz. 5.0 A total, 2.5 A max. per circuit at 230 VAC 50 Hz. | 3.75 A total, 2.5 A max. per circuit at 120/230 VAC 60 Hz. 3.0 A total, 2.5 A max. per circuit at 230 VAC 50 Hz. |
| Impedance | 26 Ω total, 0.35 μF max | |
| EOLR | 15 K Ω, ½ W | |
| Synchronization | Supported system-wide | |

Class B wiring



Class A wiring



Marking indicates output signal polarity when the circuit is active. Polarity reverses when the circuit is not active. Wire notification appliances accordingly. Notification appliance polarity shown in active state.

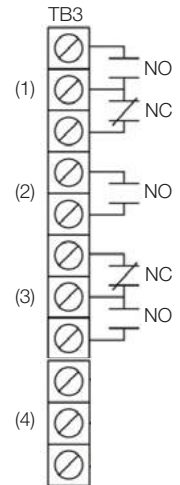
Auxiliary & smoke power outputs (TB3)

The control panel provides two auxiliary power outputs that can be used for powering ancillary equipment such as remote annunciators and two wire smoke detectors. Aux 2 can be software selected to operate continuously. The circuit is supervised for shorts and grounds.

Circuit specifications

| | |
|----------------------------------|-----------------------------------------------------------------------------------|
| Circuit voltage range | 21.9 to 28.3 V |
| Resettable circuit (Aux power 2) | 24 VDC nominal at 500 mA |
| Continuous circuit (Aux power 1) | 24 VDC nominal at 500 mA. Use this circuit for powering two-wire smoke detectors. |

Note: Any current above 0.5 amp connected to both Aux 1 and 2 will reduce the total available NAC power by that amount.



- (1) Trouble
- (2) Supervisory
- (3) Alarm
- (4) Smoke/Aux

Alarm, trouble, and supervisory relay (TB3)

The trouble relay is normally-open, held closed, and opens on any trouble event or when the panel is de-energized. The supervisory relay is normally-open, and closes on any supervisory event. The alarm relay changes over on any alarm event.

Relay specifications

| | Alarm | Trouble | Supervisory |
|---------|-------------------------|---------|-------------------------|
| Type | Form C | | |
| Voltage | 24 VDC at 1 A resistive | | 24 VDC at 1 A resistive |

Relay circuits can only be connected to power-limited sources.

Annunciator loop (TB4)

The control panel provides a connection for up to eight serially driven and supervised remote annunciators.

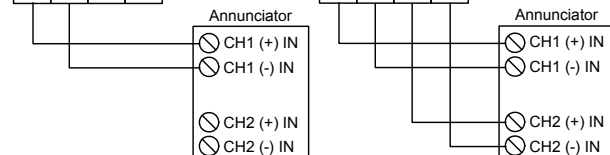
Circuit specifications

| | |
|-------------------|----------------------------------------|
| Device loops | Class B (Style Y) or Class A (Style Z) |
| Circuit voltage | 2.55 V |
| Circuit current | 30 mA max |
| Circuit impedance | Up to 8 annunciators or 4000 feet |

Class B



Class A



Option Cards

EDWARDS iO Series panels are supported by a complete line of modules and related equipment that enhance performance and extend system capabilities. Option cards plug directly into the control panel main circuit board or are connected to it with a ribbon cable. After installation, terminals remain accessible. The cabinet provides ample room for wire routing, keeping wiring neat at all times.

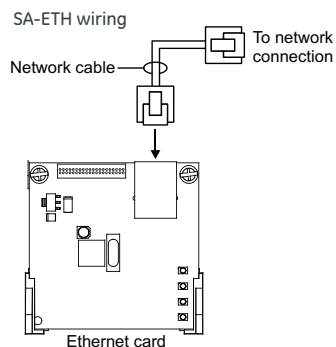
Single and Dual Loop Controller Cards

The iO-SDC1 is a single loop controller card that can be used with the iO64 as a replacement for the standard 64-point loop, or with the iO1000 as a 250-point expansion module.

The iO-SDC2 is a 500-point dual loop controller card for the iO1000 that provides two SLC circuits, each with 125 detector addresses and 125 module addresses.

| Specifications | iO-SDC1 | iO-SDC2 |
|------------------------------------------------------------------------------|-----------------------------------------------------------------------|-----------------------------------------|
| Device Addresses | iO1000: one loop, 250 device addresses iO64: 64 addresses | iO1000: two loops, 500 device addresses |
| Wiring | Class B or Class A | |
| Operating Voltage | 24 VDC | |
| Operating Current (fully loaded loop) | Standby: 55 mA Alarm: 80 mA | Standby: 45 mA Alarm: 70 mA |
| <i>Note: These ratings do not include the use of two-wire smoke modules.</i> | | |
| Communication Line Voltage | Max. 20.6 V peak-to-peak | |
| Terminal Rating | 12 to 18 AWG (0.75 to 2.5 mm ²) | |
| Circuit Current | 0.5 A max. | |
| Max total loop resistance | 66 Ω | |
| Max total loop capacitance | 0.5 μF | |
| Isolators | 64 isolators maximum per loop (total both isolator bases and modules) | |
| Ground Fault Impedance | 0 to 5 kΩ | |
| Operating Environment | 32 to 120°F (0 to 49°C) 0 to 93% noncondensing at 90°F (32°C) | |

SA-ETH Ethernet Interface Card



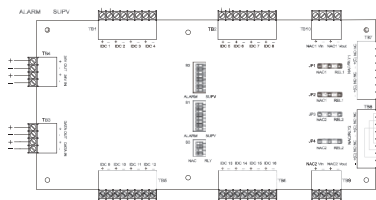
The SA-ETH card provides a standard 10/100 Base T Ethernet network connection for connecting to an intranet, a local network, or the Internet. The card can be used to download configuration programming from the iO-CU to the panel.

The Ethernet card is installed on the plastic assembly and connects to the main circuit board via a ribbon cable.

SA-ETH specifications

| | |
|-----------------------|-------------------------------------------|
| Ethernet | 10/100 Base T |
| Operating environment | |
| Temperature | 32 to 120°F (0 to 49°C) |
| Humidity | 0 to 93% RH, noncondensing at 90°F (32°C) |

RZ116-2 Remote Zone Interface Module



The RZ116-2 Addressable Remote Zone Interface Module is an addressable device that provides connections for sixteen Class B Initiating Device Circuits and two Class B Supervised Output Circuits. The inputs and outputs can be configured individually for several device types.

It requires 18 consecutive addresses on the Signaling Line Circuit (SLC). Addresses are assigned electronically. There are no address switches to set.

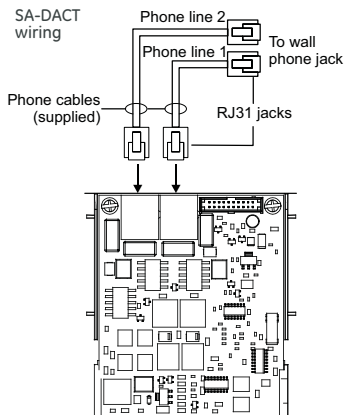
The RZ116-2 incorporates two 8-segment DIP switches that are used to select the Alarm or Supervisory default device type for each of the 16 IDC circuits. The module also includes one 4-segment DIP switch used to select the default Relay or NAC output device type. Device types other than the default are accomplished through programming.

RZ116-2 Specifications

| | |
|----------------------------------------|----------------------------------------------------------|
| Voltage | |
| 24V/Aux nominal: | 24 VDC |
| Supervisory current: | 250 mA at 24 VDC nominal |
| Alarm Current | 1000 mA |
| 24V/Aux minimum: | 18.4 VDC |
| 24V/Aux maximum: | 26.4 VDC |
| NAC1, NAC2 nominal: | 24 VDC |
| Current | |
| Standby current for 4.7 k EOL (U.S.) | 4.8 mA/ circuit |
| Standby current for 3.9 k EOL (Canada) | 5.7 mA/ circuit |
| Alarm current at nominal voltage | 31.1 mA/ circuit |
| Relay outputs | |
| Quantity | 2 |
| Type Rating (pilot duty) | Programmable 24 VDC at 2.5 A |
| Input circuit wiring resistance | 25 Ω per wire |
| Initiating device circuits | |
| Quantity | 16 |
| EOL resistor | 4.7 kΩ (U.S.); 3.9 kΩ Canada |
| Zone voltage | 22.78 V for 4.7 kΩ (U.S.) 22.08 V for 3.9 kΩ (Canada) |
| Alarm current | 31.1 mA/ channel at nominal voltage |
| Alarm impedance range | < 680 Ω |
| Trouble impedance range | > 5.55 kΩ |
| Supervised output circuits | |
| EOL resistor | 15 kΩ |
| Quantity | 2 |
| Short circuit detection | < 2.6 kΩ |
| Open circuit detection | > 61.9 kΩ |
| Contact ratings | 24 VDC at 2.5 A (5 A for two NACs) |
| Compatible cabinets | MFC(A), iO1000, APS |

SA-DACT Dialer

The SA-DACT provides communications between the control panel and the central station over a telephone line system. It transmits system status changes (events) to a compatible digital alarm communicator receiver over the public switched telephone network. The dialer is capable of single, dual, or split reporting of events to two different account and telephone numbers. The modem feature of the SA-DACT can also be used for uploading and downloading panel configuration, history, and current status to a PC running the iO-CU.



The dialer phone lines connect to connectors on the dialer's main circuit board. Phone line 1 connects to connector J4 and phone line 2 connects to connector J1.

The SA-DACT queues messages and transmits them based on priority (alarm, supervisory, trouble, and monitor). Activations are transmitted before restorations.

The SA-DACT is installed on the plastic assembly and connects to the main circuit board via a ribbon cable.

SA-DACT specifications

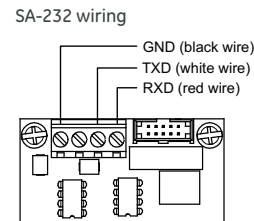
| | |
|-----------------------|-----------------------------------------------------------|
| Phone line type | One or two loop-start lines on a public, switched network |
| Phone line connector | RJ-31/38X (C31/38X) |
| Communication formats | Contact ID (SIA DC-05) |
| Operating environment | |
| Temperature | 32 to 120°F (0 to 49°C) |
| Humidity | 0 to 93% RH, noncondensing at 90°F (32°C) |

Compatible DACRs

| Receiver | Models | Formats |
|-----------------|---------------|------------|
| Ademco | 685 | Contact ID |
| FBII | CP220 | Contact ID |
| Osborne-Hoffman | OH 2000 | Contact ID |
| Bosch | D6600 | Contact ID |
| Silent Knight | 9800 | Contact ID |
| Sur-Gard | SG-MLR1, MLR2 | Contact ID |

SA-232 RS-232 interface

The SA-232 card provides an RS-232 interface with iO panels. It can be used for connecting a printer to the control panel to print system events. The card also can be used for connecting a computer to download a configuration program from the iO-CU to the control panel.



The RS-232 card is installed on the plastic assembly and connects to the main circuit board via a ribbon cable.

SA-232 specifications

| | |
|-----------------------|-------------------------------------------|
| Operating voltage | Standard EIA-232 |
| Terminal rating | 12 to 18 AWG (0.75 to 2.5 sq mm) |
| Operating environment | |
| Temperature | 32 to 120°F (0 to 49°C) |
| Humidity | 0 to 93% RH, noncondensing at 90°F (32°C) |

SA-CLA Class A Module (iO64 only)

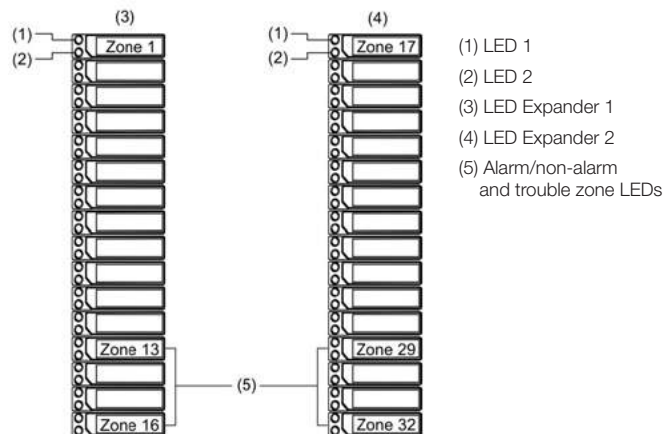
The SA-CLA card provides Class A capability for NAC wiring. Its terminal block provides the wiring connection for NAC return wiring. The card is required for annunciator Class A wiring even though this wiring does not return to the SA-CLA card. The SA-CLA is compatible with iO64 control panels only. iO1000 panels are Class A Ready. The SA-CLA is installed directly to the control panel circuit board using its plastic standoffs and plug connection.

SA-CLA specifications

| | |
|-----------------------|----------------------------------------------------------------------------------------------------|
| Operating voltage | 24 VFWR |
| Operating current | 3.75 A FWR total at 120/230 VAC 60 Hz 3.0 A FWR total at 230 VAC 50 Hz 2.5 A max per circuit |
| Circuit impedance | 26 ohms, 0.35uF |
| Terminal rating | 12 to 18 AWG (0.75 to 2.5 sq mm) |
| Operating environment | |
| Temperature | 32 to 120°F (0 to 49°C) |
| Humidity | 0 to 93% RH, noncondensing at 90°F (32°C) |

D16L-iO LED Display Expander (iO1000 only)

The D16L-iO LED Display Expanders provide LED annunciation for up to 16 zones. It provides two LEDs for each zone. Two D16L-iO LED display expanders can be installed in each iO1000 panel.



Specifications

| | iO64 | iO1000 |
|---------------------------------|----------------------------------------------------------------------------------------------------------------------------------------------------------------------------------------------------------------------------------------------------------------------------------------------------------------------------------------------------------------------------------------------------------------------------------------------------------------------------|---------------------------------------------------------------------------------------------------------------------------------------------------------------------------------------------------------------------------------------------------------|
| Device loops | 1 loop Class B or Class A (Styles 4, 6, 7) supporting up to 64 device addresses (any combination of detectors and modules) Maximum T-taps: 63 (each device can be on its own branch) | 1 loop, expandable to 4, Class A or B (Styles 4, 6, 7), each loop supporting up to 250 device addresses (125 detectors and 125 modules max.). Addresses 1 to 125 are for detectors and addresses 126 to 250 are for modules Maximum T-taps/loop: 124 |
| Notification appliance circuits | 2 Class B (Style Y), Class A (Style Z) optional 3.75 A FWR total at 120/230 VAC 60 Hz 3.0 A FWR total at 230 VAC 50 Hz 2.5 A FWR each max. per circuit | 4 Class B (Style Y) or 2 Class A (Style Z) 6.0 A FWR total at 120/230 VAC 60 Hz 5.0 A FWR total at 230 VAC 50 Hz 2.5 A FWR each max. per circuit |
| Primary power | 120 VAC, 60 Hz, 1.3 A max. 230 VAC, 50-60 Hz, 0.62 A max. | 120 VAC, 60 Hz, 2.0 A max. 230 VAC, 50-60 Hz, 0.97 A max. |
| Base panel current standby | 155 mA | 172 mA |
| Base panel current alarm | 204 mA | 267 mA |
| Input zones | 16 max. | 32 max. |
| Remote annunciator | 8 drops max., RS-485 Class B, Class A is optional Data line length: 4,000 ft. (1,219 m) | 8 drops max., RS-485 Class A or B Data line length: 4,000 ft. (1,219 m) |
| Operating voltage | 24 VDC panel | |
| Auxiliary power output circuit | Aux power 1: 500 mA, 24 VDC Aux power 2: 500 mA, 24 VDC (1 A possible if you reduce total available NAC power by 500 mA) Output: 28.3 to 21.9 VDC, special application <i>Note: For a list of compatible devices, see the iO64 and iO1000 Series Compatibility List (P/N 3102353-EN)</i> | |
| Loop circuit | Maximum loop resistance: 66 Ω Maximum loop capacitance: 0.5 μF Communication line voltage: Maximum 20.6 V peak-to-peak Operating current (fully loaded loop) Stand by: 55 mA/45 mA Alarm: 125 mA/115 mA (not including two-wire smoke modules) Circuit current: 0.5 A max. Style 4, 6, and 7 wiring Max. resistance between isolators: Limited only by overall wire run lengths 64 isolators maximum per loop (total both isolator bases and modules) | |
| Batteries | Type: Sealed lead acid Voltage: 24 VDC Charging current: 2.47 A max. Amp hour capacity: 26 Ah Standby operation: 24 hour or 60 hour Placement: Up to two 10 Ah batteries will fit in the iO64 control panel cabinet and two 18 Ah batteries will fit in the iO1000 control panel cabinet. If larger batteries are required, use an EDWARDS battery cabinet. | |
| SA-DACT dialer | Phone line type: One or two loop-start lines on a public, switched network Phone line connector: RJ-31/38X (C31/38X) Communication formats: Contact ID (SIA DC-05) Operating current Standby/Alarm: 41 mA Max.: 100 mA FCC registration number: GESAL01BSADACT Industry Canada Registration number: 3944A-SADACT Ringer equivalence number: 0.1B | |
| Ground fault impedance | 0 to 5 kΩ | |
| Alarm contact | Form C N.O. 24 VDC at 1 A (resistive load) | |
| Trouble contact | Form C 24 VDC at 1 A (resistive load) | |
| Supervisory contact | Form A N.O. 24 VDC at 1 A (resistive load) | |
| Environmental | Temperature: 0 to 49°C (32 to 120°F) Relative humidity: 0 to 93% noncondensing | |
| Terminal rating | All terminals rated for 12 to 18 AWG (0.75 to 2.5 mm ²) | |



LIFE SAFETY & INCIDENT MANAGEMENT

Contact us...

Email: edwards.fire@fs.utc.com
 Web: edwards-fire.com

1016 Corporate Park Drive
 Mebane, NC 27302

EDWARDS is a registered mark in the United States and other countries.

© 2018 United Technologies Corporation. All rights reserved.

Ordering Information

| Part | Description |
|------|-------------|
|------|-------------|

iO1000 Fire Alarm Systems

| | |
|--------------|--------------------------------------------------------------------------------------|
| IO1000G | Four loop system with one 250-point loop installed. 110v, gray door. |
| IO1000G-2 | Four loop system with one 250-point loop installed. 230v, gray door. |
| IO1000G-2-PG | Four loop system with one 250-point loop installed. 230v, gray door, Portuguese. |
| IO1000G-2-SP | Four loop system with one 250-point loop installed. 230v, gray door, Spanish. |
| IO1000G-CA | Four loop system, one 250-point loop installed. 110v, gray door, LED strips, Canada. |
| IO1000GD | Four loop system, one 250-point loop installed. 110v, gray door, with dialer. |
| IO1000G-F | Four loop system, one 250-point loop. 110v, gray door, LED strips, French Canada. |
| IO1000G-PG | Four loop system with one 250-point loop installed. 110v, gray door, Portuguese. |
| IO1000G-SP | Four loop system with one 250-point loop installed. 110v, gray door, Spanish. |
| IO1000R | Four loop system with one 250-point loop installed. 110v, red door. |
| IO1000R-2 | Four loop system with one 250-point loop installed. 230v, red door. |
| IO1000RD | Four loop system, one 250-point loop installed. 110v, red door, with dialer. |
| SA-TRIM2 | iO1000 Flush mount trim, black. |

iO64 Fire Alarm Systems

| | |
|------------|--------------------------------------------------------------------------------|
| IO64G | One loop system with one 64-point loop installed. 110v, gray door. |
| IO64G-2 | One loop system with one 64-point loop installed. 230v, gray door. |
| IO64G-2-PG | One loop system with one 64-point loop installed. 230v, gray door, Portuguese. |
| IO64G-2-SP | One loop system with one 64-point loop installed. 230v, gray door, Spanish. |
| IO64GD | One loop system, one 64-point loop installed. 110v, gray door, with dialer. |
| IO64GL | One loop system, one 64-point loop installed. 110v, gray door, English Canada. |
| IO64GL-F | One loop system, one 64-point loop installed. 110v, gray door, French Canada. |
| IO64G-PG | One loop system with one 64-point loop installed. 110v, gray door, Portuguese. |
| IO64G-SP | One loop system with one 64-point loop installed. 110v, gray door, Spanish. |
| IO64R | One loop system with one 64-point loop installed. 110v, red door. |
| IO64R-2 | One loop system with one 64-point loop installed. 230v, red door. |
| IO64RD | One loop system, one 64-point loop installed. 110v, red door, with dialer. |
| SA-TRIM1 | iO64 Flush mount trim, black |

Option Cards

| | |
|-----------|-------------------------------------------------------------------------------------------------------------------------------------------------------------------------|
| iO-SDC1 | Expansion module, one 250-device loop. |
| iO-SDC2 | Expansion module, two 250-device loops, 500 devices total. For iO1000 only. |
| RZI16-2 | Remote Zone Interface Module. 16 Class B IDCs, 2 Class B Output. Includes bracket. |
| SA-DACT | Dual Line Dialer/Modem, supports Contact ID, mounts in cabinet on base plate. |
| SA-232 | RS-232 Serial Port for connection to printers & computers, mounts in cabinet. |
| SA-ETH | Ethernet Port, Slave, mounts in cabinet on base plate. |
| SA-CLA | Class A adapter module. Provides Class A capacity on NACs. Mounts in cabinet on main board. iO64 systems only. |
| D16L-iO-2 | LED Annunciator module, 16 X 2-LED zones (4 programmable for sup). Mounts in cabinet to right of LCD display for zones 17-32. For iO1000 only. |
| D16L-iO-1 | LED Annunciator module, 16 X 2-LED zones (4 programmable for sup). Mounts in cabinet to left of LCD display for zones 1-16. For iO1000 only. |
| D8RY-iO-2 | Canada only: LED Annunciator module, two LEDs per zone, 16 zones (4 alarm only, 8 supervisory only, 4 alarm or supervisory). Mounts in cabinet. For iO1000 only. |
| D8RY-iO-1 | Canada only: LED Annunciator module, two LEDs per zone, 16 zones (4 alarm only, 8 supervisory only, 4 alarm or supervisory). Mounts in cabinet. For iO1000 only. |

Accessories

| | |
|----------|-----------------------------------------------------------------------------------------------------------------------------------------------|
| CTM | City Tie Module. 2-gang. Connection to a local energy fire alarm box. |
| MFC-A | Multifunction Fire Cabinet, 8" x 14" x 3.5" - red. |
| SIGA-REL | Releasing Module |
| PT-1S | System Printer |
| BC-1 | Battery Cabinet. 14.0" x 18.25" x 7.25". Holds two 12V24A batteries. |
| BC-1R | Battery Cabinet - Red. 14.0" x 18.25" x 7.25". Holds two 12V24A batteries. |
| BC-1EQ | Seismic hardening Kit for iO series panels. Includes battery hardening for BC-1 enclosure and components to harden panel internal components. |

Programming Tools

| | |
|--------|--------------------------------------------------|
| iO-CU | IO Series configuration and diagnostics utility. |
| 260097 | RS232 cable, 4 conductor, DB9 PC interface |